

THIS DRAWING IS UNPUBLISHED.

RELEASED FOR PUBLICATION

,19 .

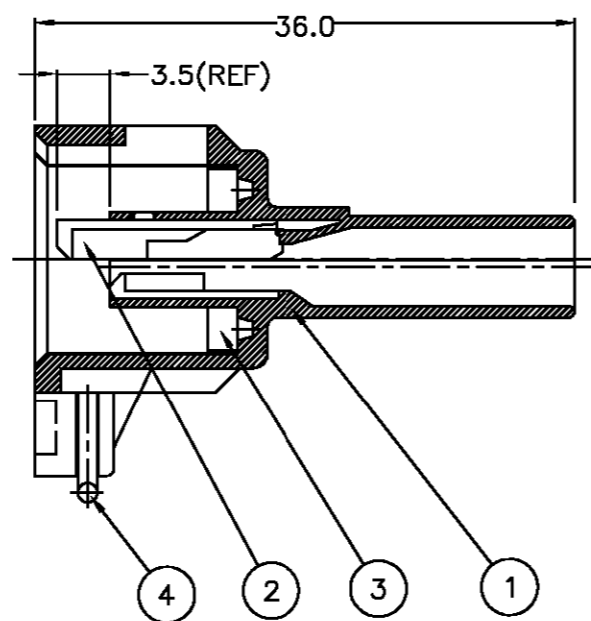
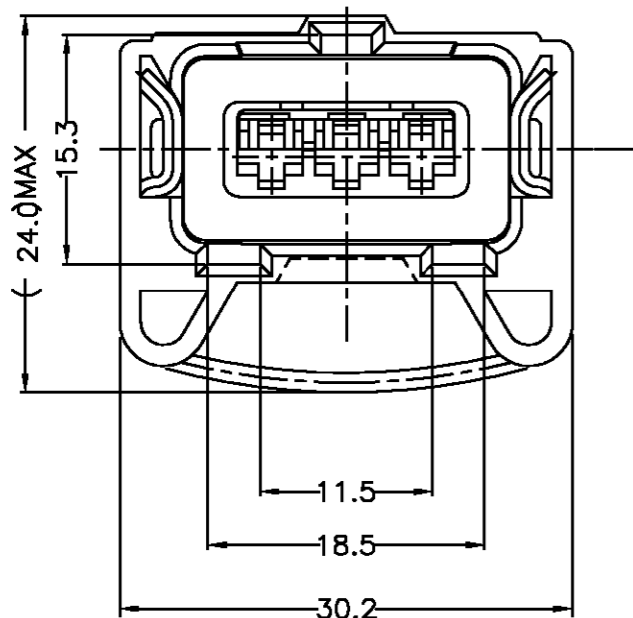
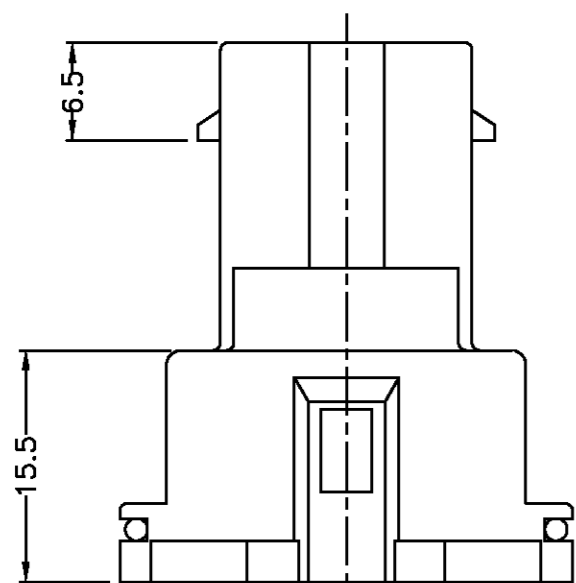
© COPYRIGHT 19

BY AMP INCORPORATED. ALL RIGHTS RESERVED.

LOC DS DIST

REVISIONS

P	LTR	DESCRIPTION	DATE	DWN	APVD
	0	RELEASED (FC00-0066-99)	'99 2/JUN	YD	CS



\* NOTES \*

- 1. APPLICABLE CONTACT P/NO: 927770 / 927766
- 2. APPLICABLE WIRE SEAL P/NO: 828904 / 828905 / 368064

NO	P/NO	DESCRIPTION	MATERIAL	COLOR	Q'TY
4	85388-1	SPRING	SUS 304	<del>ORANGE</del>	1
3	85384-1	SEAL RUBBER	SILICONE	ORANGE	1
2	85207-1	SPACER	PBT	YELLOW	1
1	368357-1	JPT 3P HSG FOR CLIP	PBT 30% GF	BLACK	1

P/NO	DESCRIPTION
368356-1	JPT 3P ASS'Y FOR CLIP

THIS DRAWING IS A CONTROLLED DOCUMENT FOR AMP INCORPORATED. IT IS SUBJECT TO CHANGE AND THE CONTROLLING ENGINEERING ORGANIZATION SHOULD BE CONTACTED FOR THE LATEST REVISION.

DIMENSIONS: MM		TOLERANCES UNLESS OTHERWISE SPECIFIED: 0<XX<10 ± 0.2 10<XX<30 ± 0.25 30<XX<100 ± 0.3 ANGLES ± 3°		DWN		AMP KOREA. kyungsan, korea	
3rd ANGLE PROJECTION		MATERIAL		FINISH		NAME	
APVD		PRODUCT SPEC		APPLICATION SPEC		JPT 3P ASS'Y FOR CLIP	
CHK		WEIGHT		SIZE		CAGE CODE	
APVD		6.30g		A3		00779	
DRAWING NO		SCALE		SHEET		OF	
C- 3 6 8 3 5 6		2/1		1		1	
REV		REV		REV		REV	
0		0		0		0	